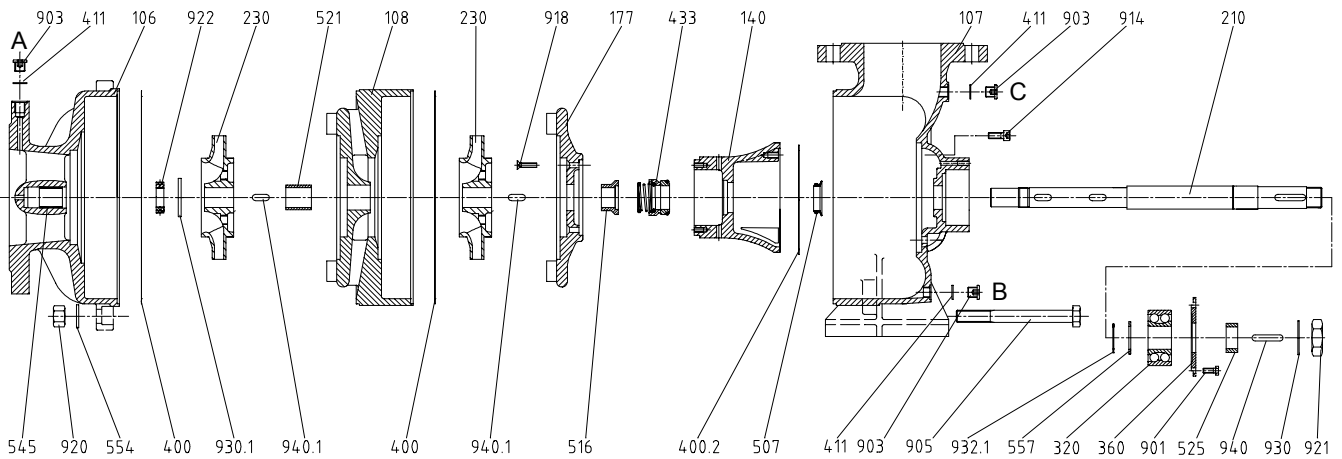


Pump View and List of Spare Parts

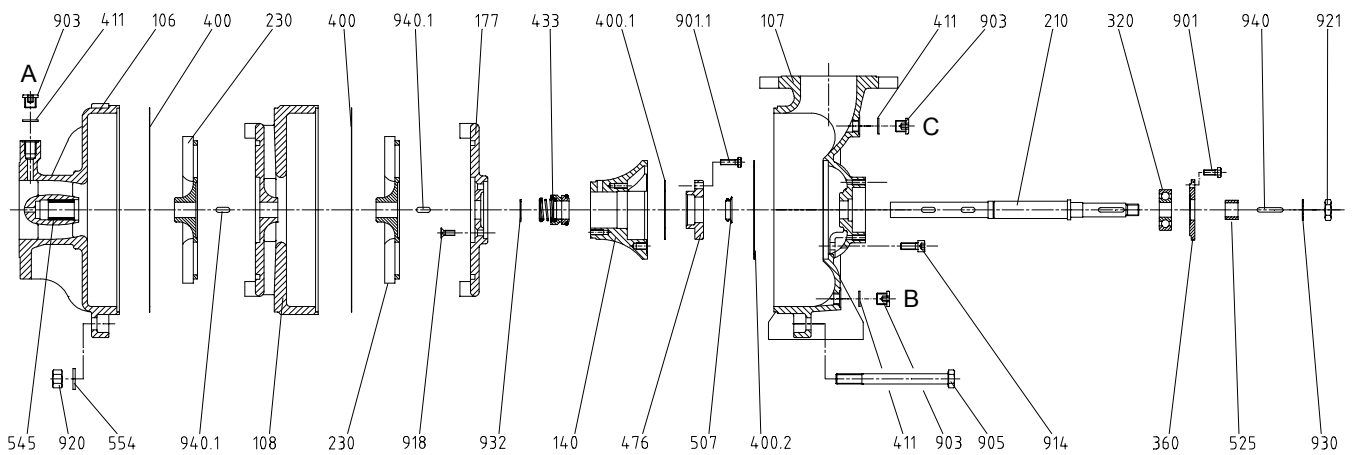


NU 100



part no.	designation	part no.	designation	part no.	designation	
106	suction casing	411	joint ring	905	tie bolt	A: Screwed plug G1/4 for drain and manometer connection
107	delivery casing	433	mechanical seal	914	hexagon socket head cap screw	B: Screwed plug G1/4 for drain connection
108	stage casing	507	deflector	918	slotted countersunk head screw	C: Screwed plug G1/4 for vent connection
140	support for sealing chamber	516	shaft sleeve for mech. seal	920	nut	
177	sealing chamber	521	interstage sleeve	921	shaft nut	
210	shaft	525	spacer sleeve	922	impeller nut	
230	impeller	545	bearing bush	930/1	tooth lock washer	
320	ball bearing	554	washer	932.1	circlip	
360	bearing cover	557	supporting ring	940/1	key	
400/2	gasket	901	hexagon screw			
		903	screwed plug			

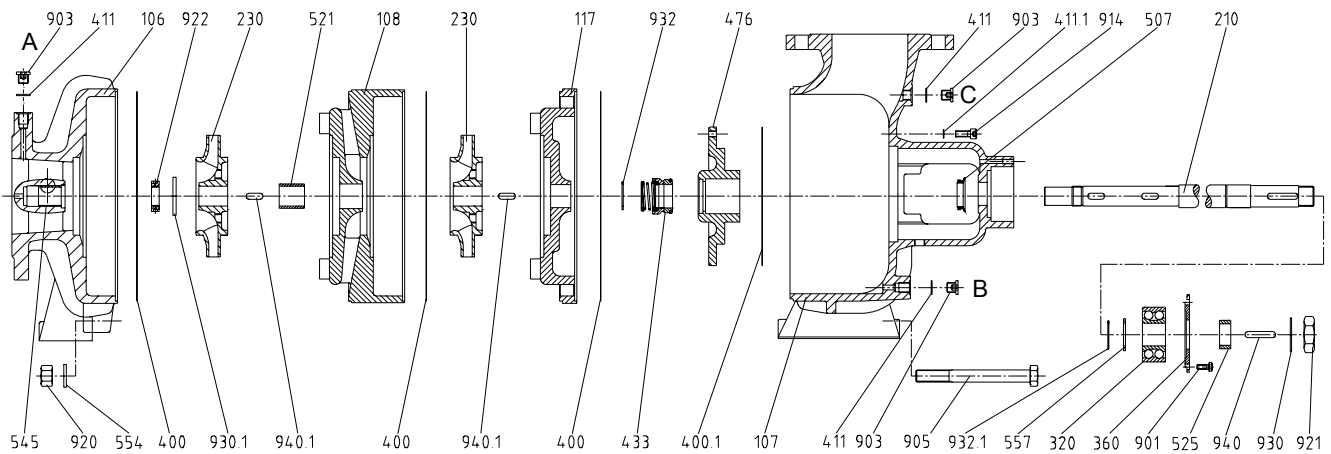
Nu 50- / Nu 65-



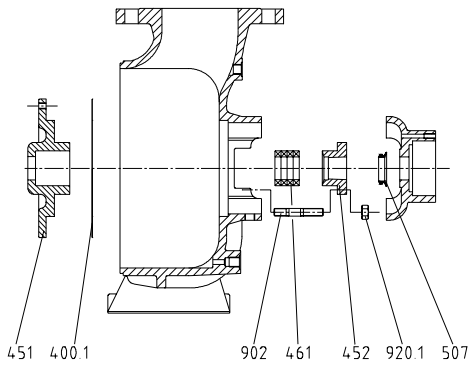
part no.	designation	part no.	designation	part no.	designation	
106	suction casing	433	mechanical seal	918	slotted countersunk head screw	A: Screwed plug G1/4 for drain and manometer connection
107	delivery casing	476	support to stationary element	920	nut	B: Screwed plug G1/4 for drain connection
108	stage casing	507	deflector	921	shaft nut	C: Screwed plug G1/4 for vent connection
140	support for sealing chamber	525	spacer sleeve	930	tooth lock washer	
177	sealing chamber	545	bearing bush	932	circlip	
210	shaft	554	washer	940/1	key	
230	impeller	901/1	hexagon screw			
320	ball bearing	903	screwed plug			
360	bearing cover	905	tie bolt			
400/1-2	gasket	914	hexagon socket head cap screw			
411	joint ring					

When ordering spare parts, please indicate serial no., type no. and parts no.

NHU100



NHP100, delivery side



- A: Screwed plug G1/4 for drain and manometer connection
- B: Screwed plug G1/4 for drain
- C: Screwed plug G1/4 for vent connection

part no.	designation	part no.	designation	part no.	designation
106	suction casing	452	stuffing box gland	903	screwed plug
107	delivery casing	461	gland packing	905	tie bolt
108	stage casing	476	support to stationary element	914	hexagon socket head cap screw
117	end stage casing	507	deflector	920/.1	nut
210	shaft	521	interstage sleeve	921	shaft nut
230	impeller	525	spacer sleeve	922	impeller nut
320	ball bearing	545	bearing bush	930/.1	tooth lock washer
360	bearing cover	554	washer	932/.1	circlip
400/.1	gasket	557	supporting ring	940/.1	key
411/.1	joint ring	901	hexagon screw		
433	mechanical seal	902	stud		
451	stuffing box housing				