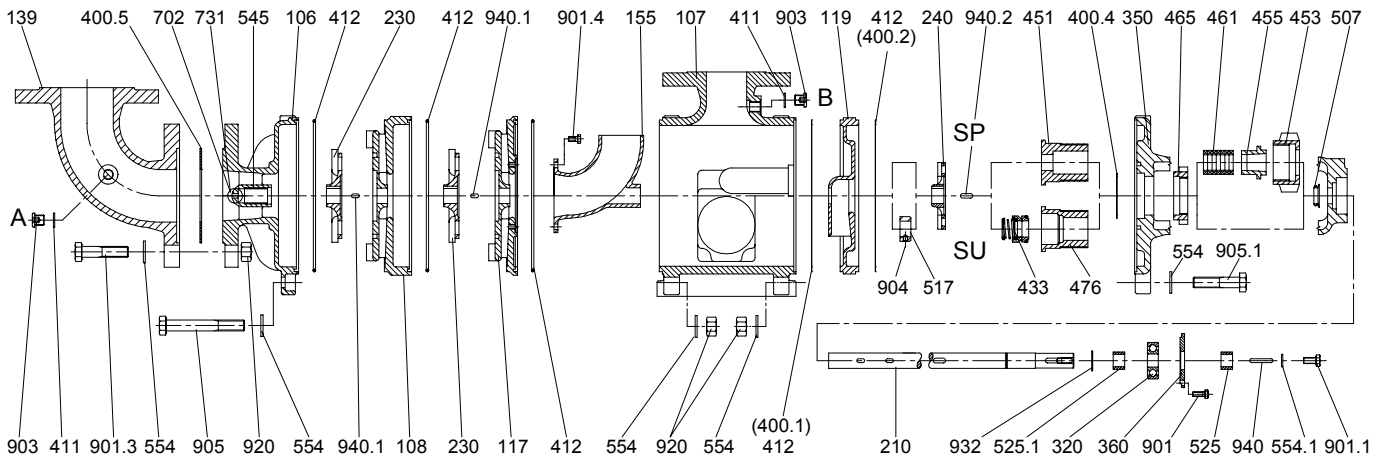


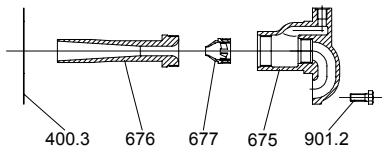
Pump View and List of Spare Parts



SP5 and SU5 / SP6 and SU6



Jet Pump

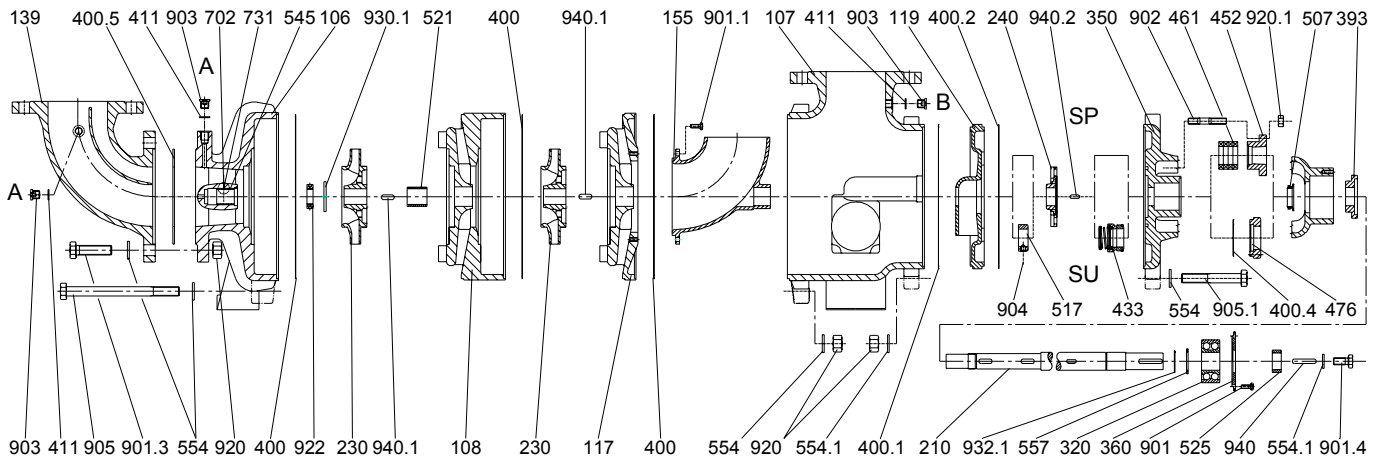


- A: Screwed plug G1/4 for gauge connection
- B: Screwed plug G1/4 for vent/gauge connection

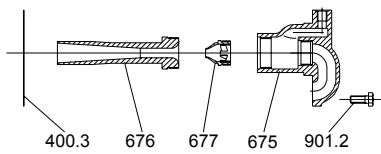
Part no.	Designation	Part no.	Designation	Part no.	Designation
106	suction casing	400/.1-.5	gasket	554/.1	washer
107	delivery casing	411	joint ring	675	nozzel bracket
108	stage casing	412	O-ring	676	mixing diffusor
117	end stage casing	433	mechanical seal	677	nozzel
119	auxiliary stage casing	451	stuffing box housing	702	aspiration pipe line
139	suction bend	453	gland nut	731	pipe union
155	deflection bend	455	stuffing box insert	901/.1-.4	hexagon screw
210	shaft	461	gland packing	903	screwed plug
230	impeller	465	lock nut	905/.1	tie bolt
240	auxiliary impeller	476	support to stationary element	920/.1	nut
320	ball bearing	507	deflector	932	circlip
350	bearing housing	517	location ring	940/.1-.2	key
360	bearing cover	525/.1	spacer sleeve		
393	bearing ring	545	bearing bush		

When ordering spare parts, please indicate serial no., type no. and parts no. by all means.

SP7 and SU7



Jet Pump



- A: Screwed plug G1/4 for gauge connection
- B: Screwed plug G1/4 for vent/gauge connection

Part no.	Designation	Part no.	Designation	Part no.	Designation
106	suction casing	400/.1-.5	gasket	554/.1	washer
107	delivery casing	411	joint ring	675	nozzel bracket
108	stage casing	433	O-ring	676	mixing diffusor
117	end stage casing	451	mechanical seal	677	nozzel
119	auxiliary stage casing	452	stuffing box housing	702	aspiration pipe line
139	suction bend	455	gland nut	731	pipe union
155	deflection bend	461	stuffing box insert	901/.1-.4	hexagon screw
210	shaft	465	gland packing	903	screwed plug
230	impeller	476	lock nut	905/.1	tie bolt
240	auxiliary impeller	507	support to stationary element	920/.1	nut
320	ball bearing	517	deflector	922	impeller nut
350	bearing housing	521	location ring	930/.1	tooth lock washer
360	bearing cover	525	spacer sleeve	932.1	circlip
393	bearing ring	545	bearing bush	940/.1-.2	key